

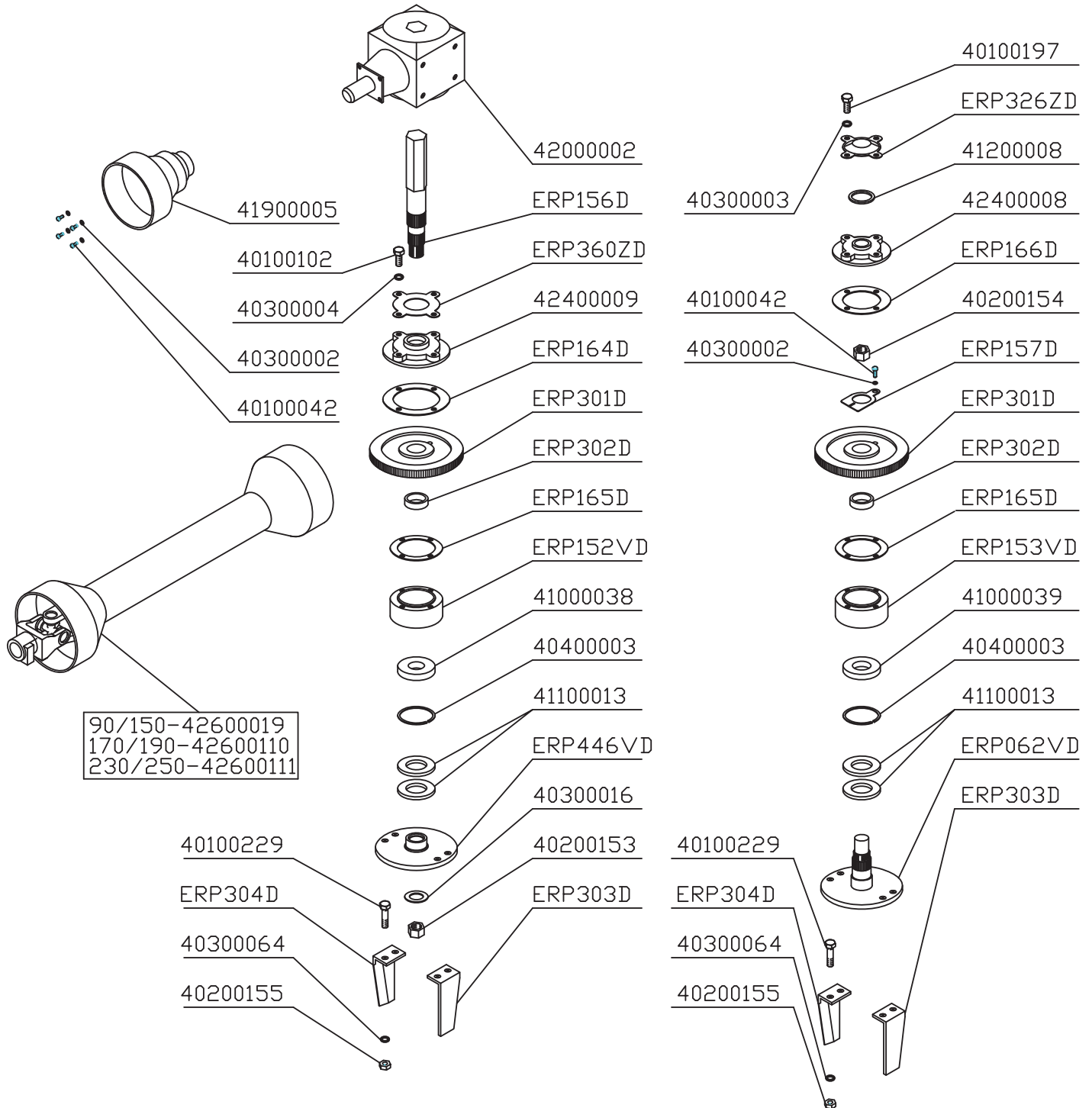


ROTEX M

90 - 110 - 130 - 150

Erpice Rotante
Rotary Harrow
Herse Rotative

TRASMISSIONE - DRIVE TRAIN COMPONENTS - TRANSMISSION



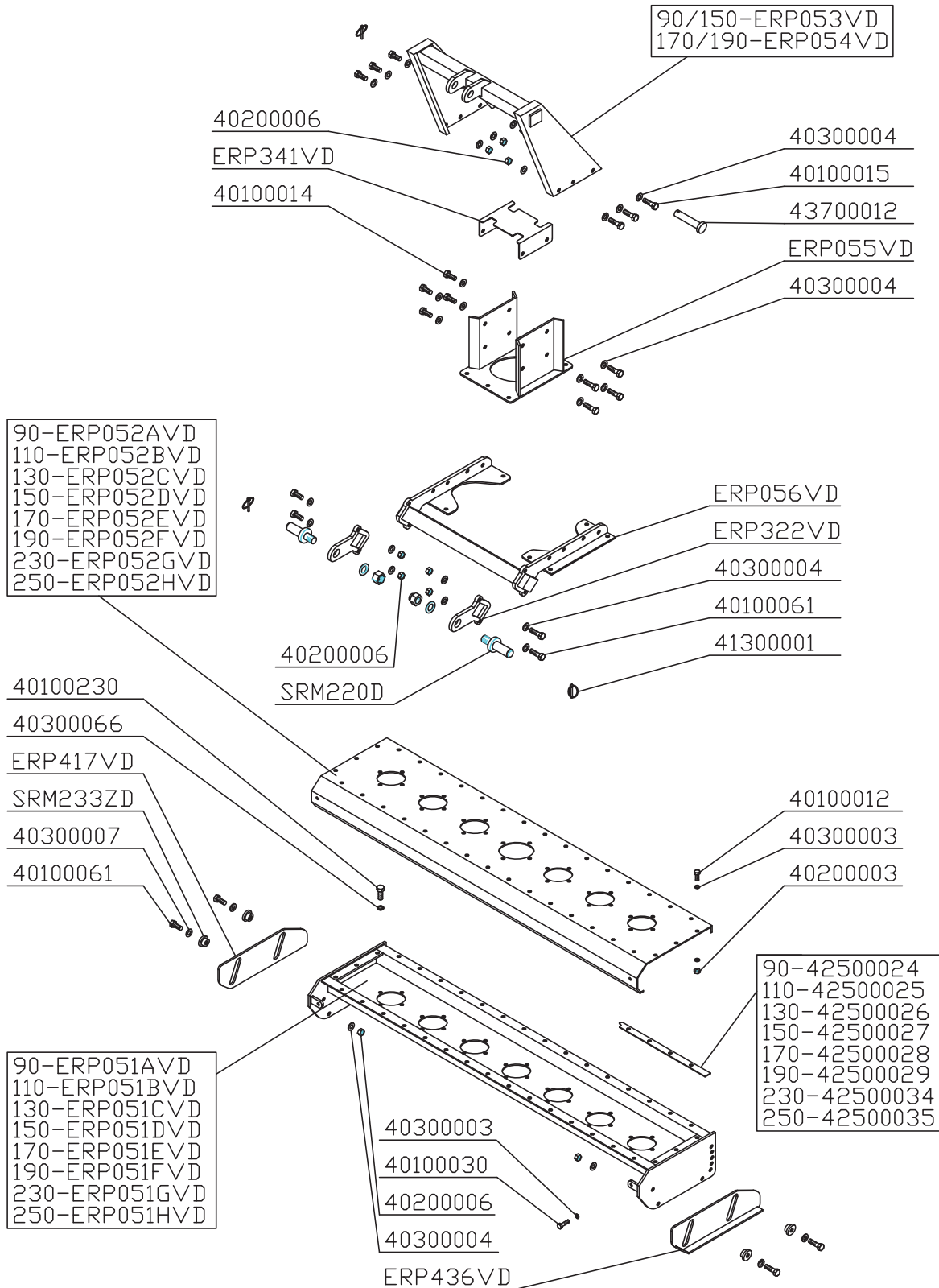


ROTEX M

90 - 110 - 130 - 150

Erpice Rotante
Rotary Harrow
Herse Rotative

TELAIO - FRAME - CHASSIS



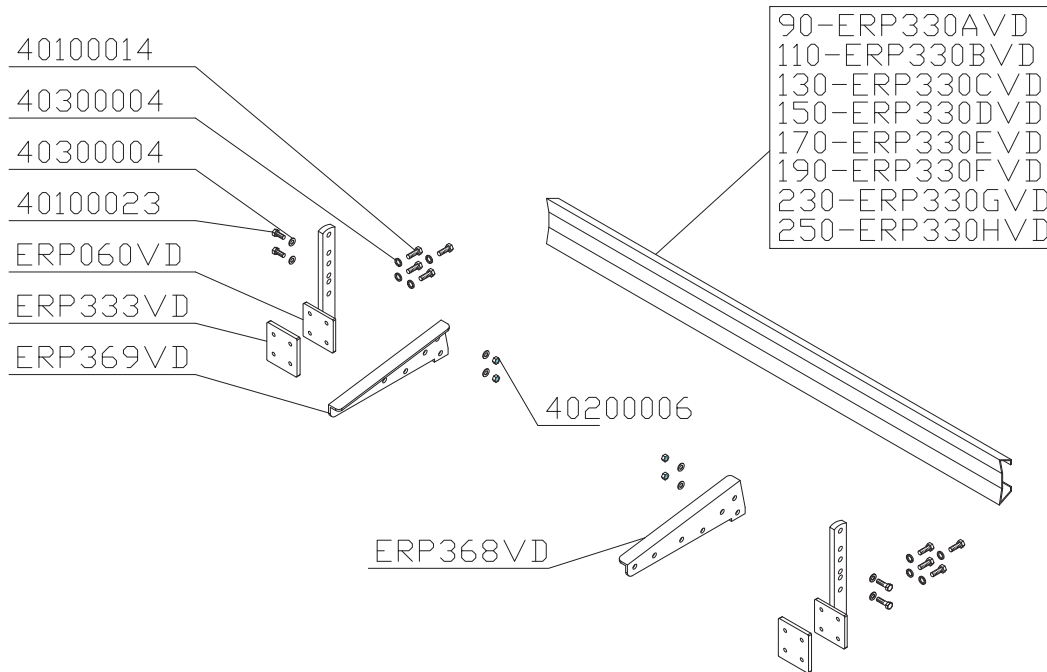


ROTEX M

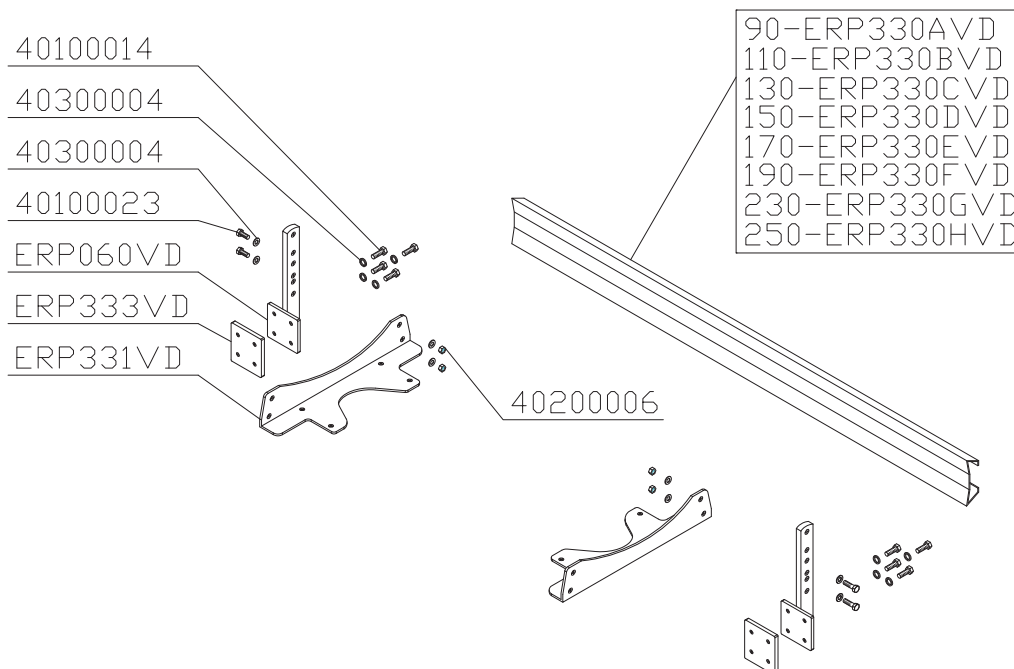
90 - 110 - 130 - 150

*Erpice Rotante
Rotary Harrow
Herse Rotative*

LAMA LIVELLATRICE - LEVELLING BLADE - LAME NIVELEUSE (ROTEX 90 - 110 - 130)



LAMA LIVELLATRICE - LEVELLING BLADE - LAME NIVELEUSE (ROTEX 150)



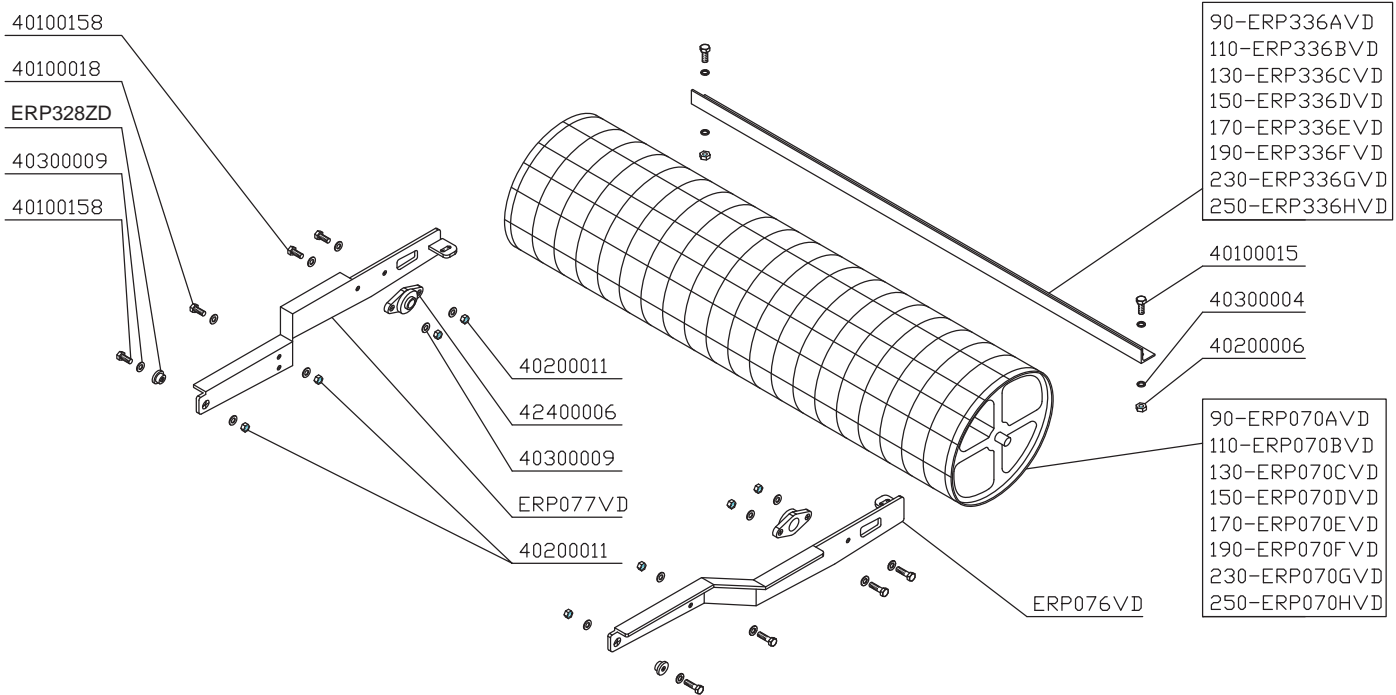


ROTEX M

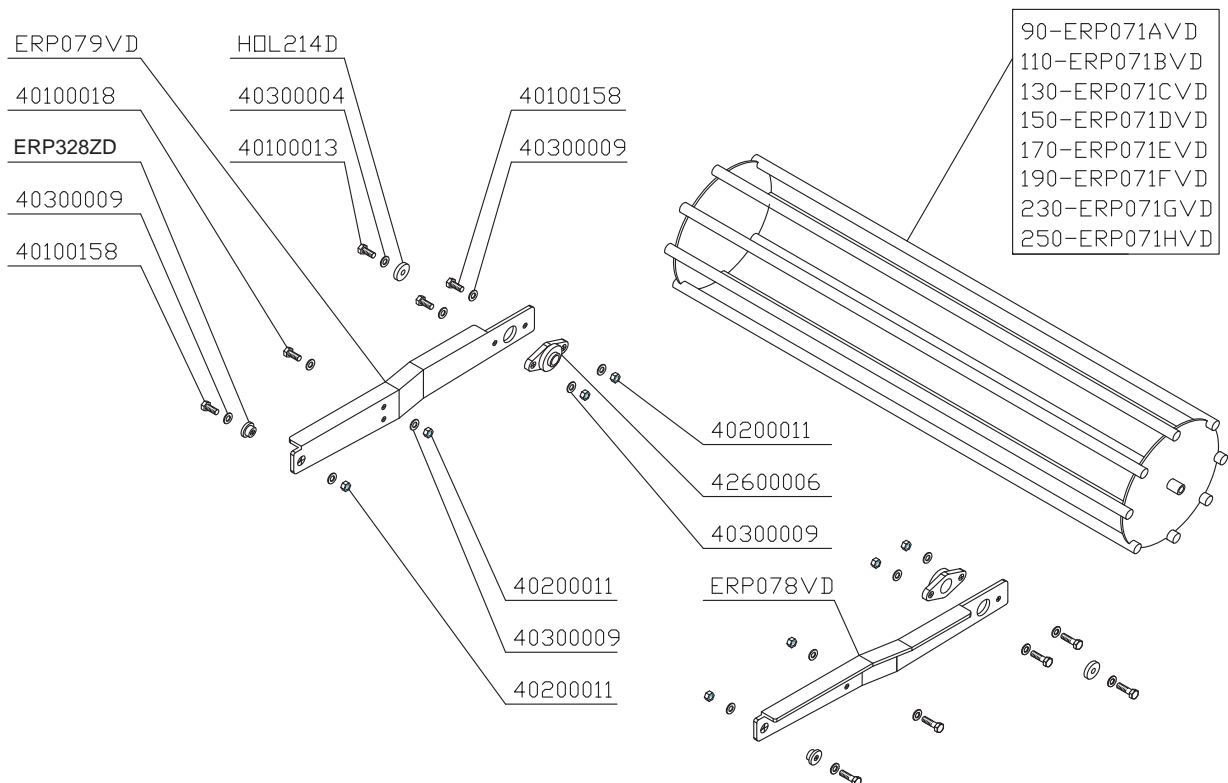
90 - 110 - 130 - 150

Erpice Rotante
Rotary Harrow
Herse Rotative

RULLO GRIGLIA - WIRE ROLLER - ROULEAU GRILLE



RULLO GABBIA - CAGE ROLLER - ROULEAU GABIE



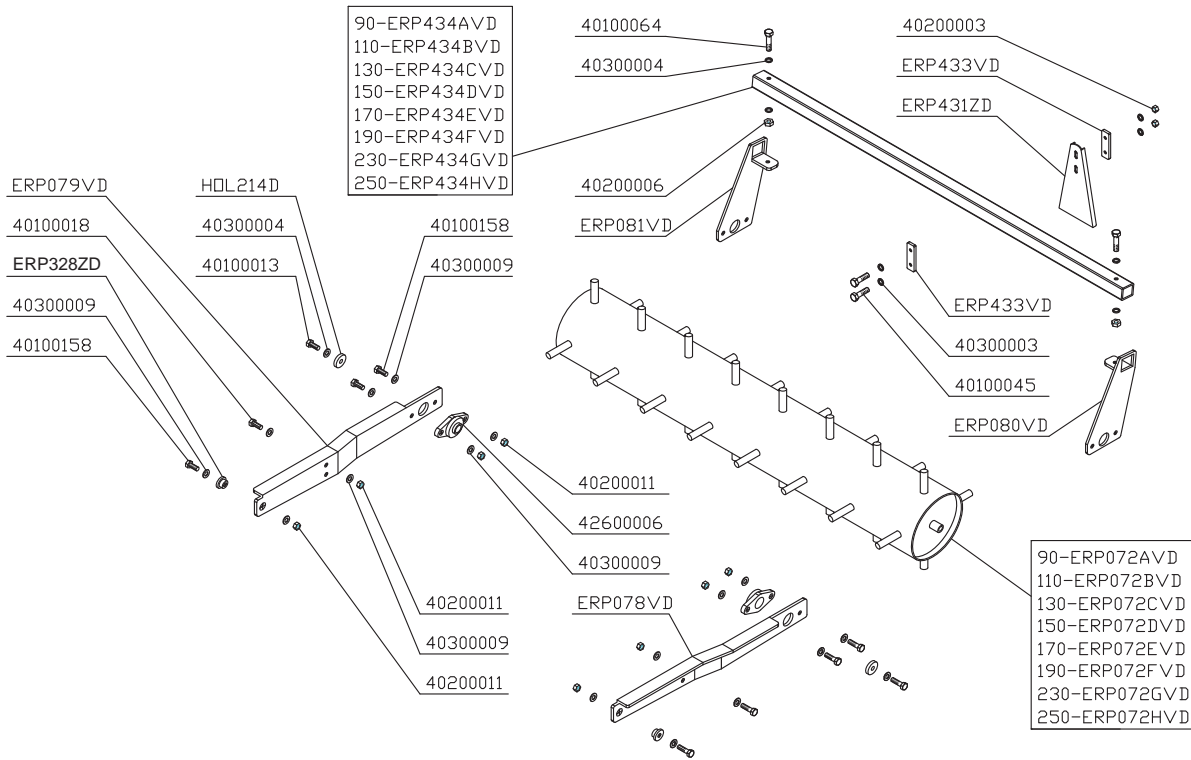


ROTEX M

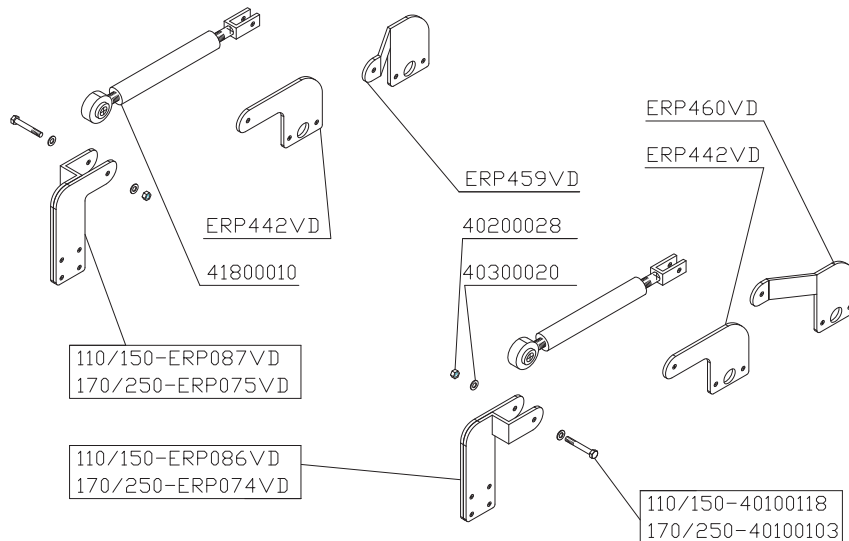
90 - 110 - 130 - 150

Erpice Rotante
Rotary Harrow
Herse Rotative

RULLO SPUNZONI - SPIKED ROLLER - ROULEAU POINTES



SOLLEVATORE RULLO - ROLLER LIFTING - ELEVATEUR ROULEAU



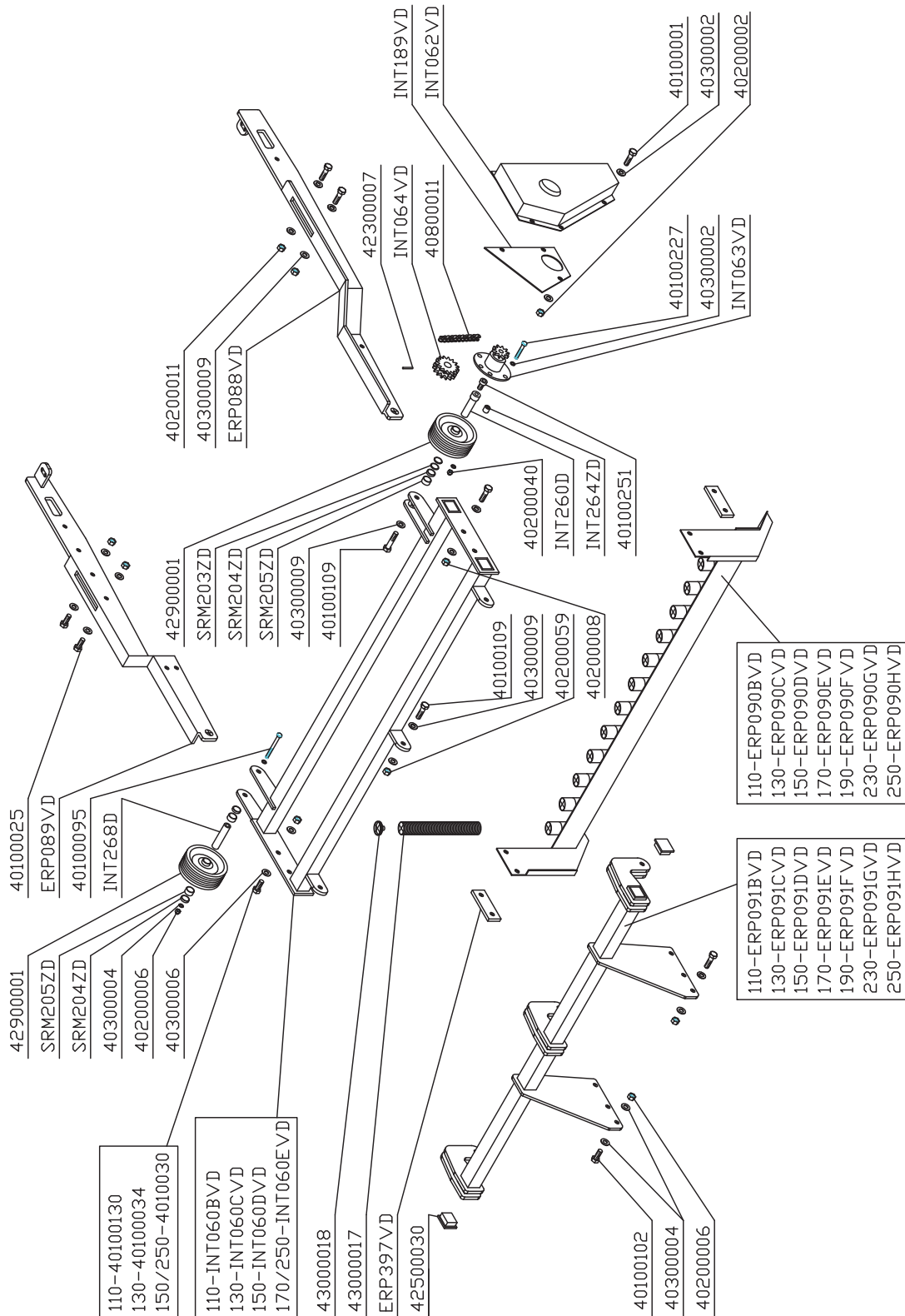


ROTEX M

90 - 110 - 130 - 150

Erpice Rotante
Rotary Harrow
Herse Rotative

SUPPORTO SEMINATRICE - SEEDER HOLDER - SUPPORT SEMOIR

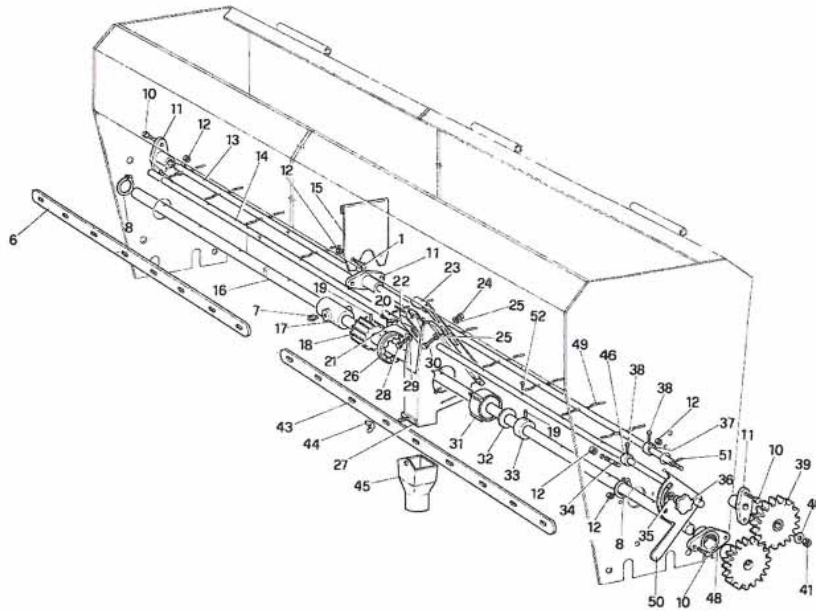




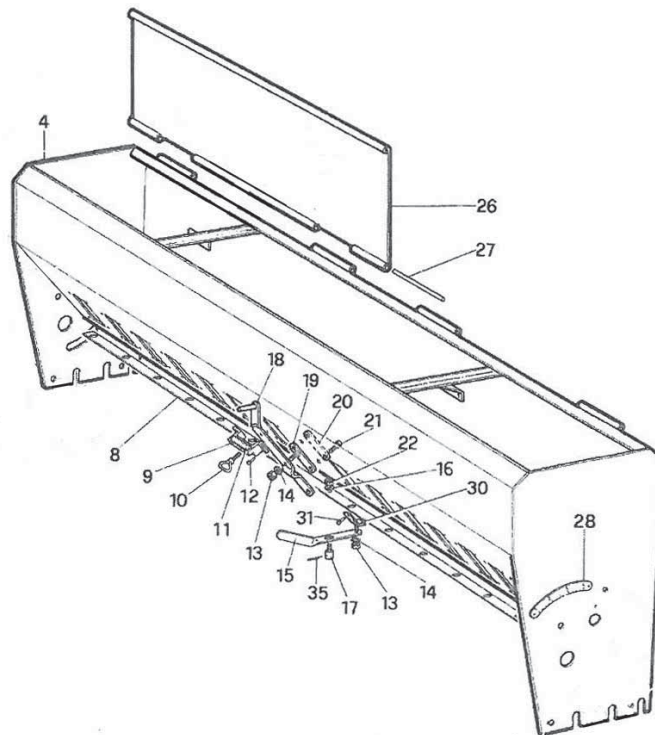
PROFESSIONAL (ROTEX M)

Seminatrice
Seeder
Semoir

TRASMISSIONE - DRIVE TRAIN COMPONENTS - TRANSMISSION (PROFESSIONAL 11- 13)



TELAIO SEMINATRICE - SEEDER FRAME - CHASSIS SEMOIR (PROFESSIONAL 11- 13)

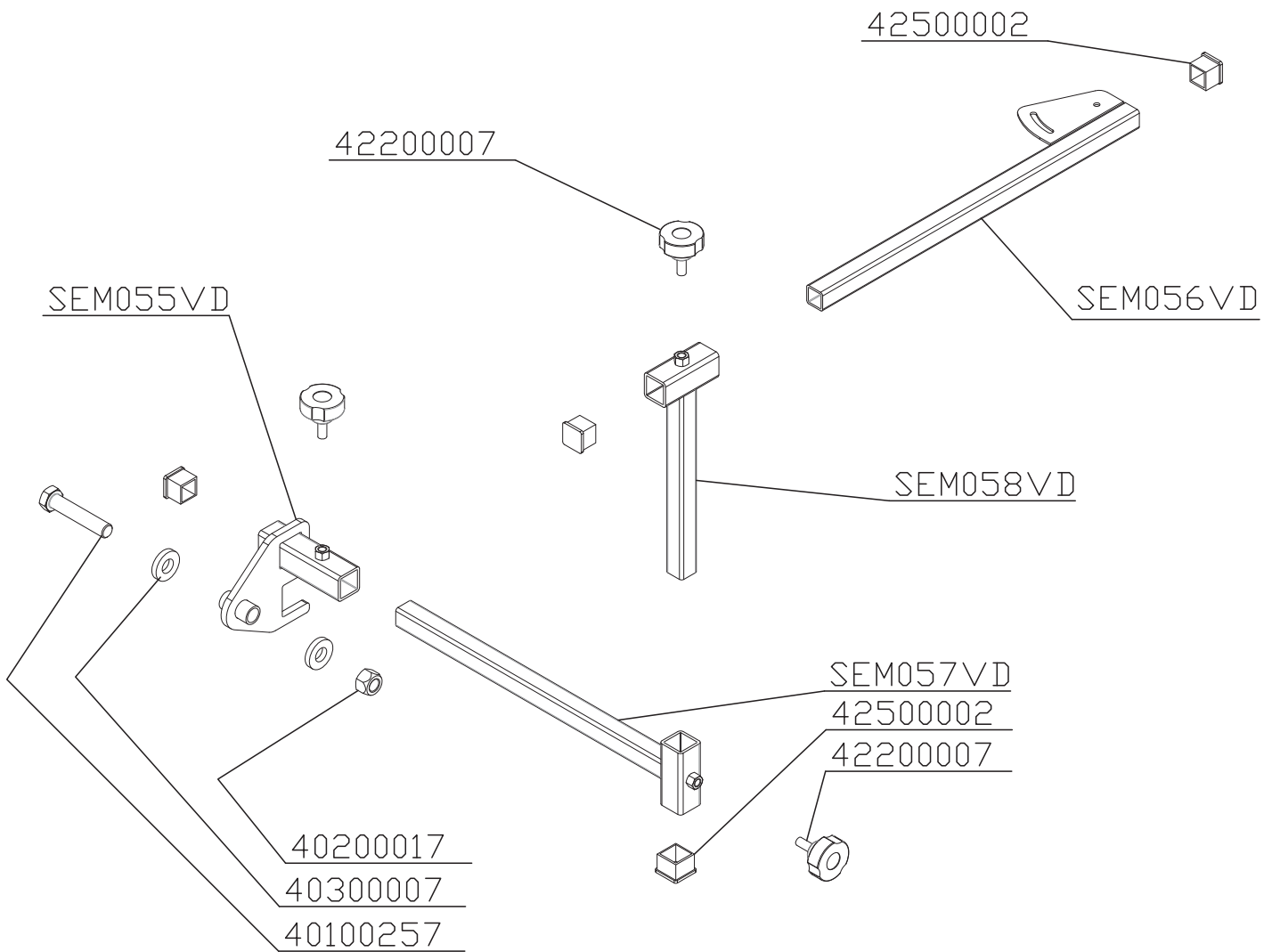




GRASS (ROTEX M)

Seminatrice
Seeder
Semoir

ATTACCO SEMINATRICE - SEEDER LINKAGE - ATTELAGE SEMOIR

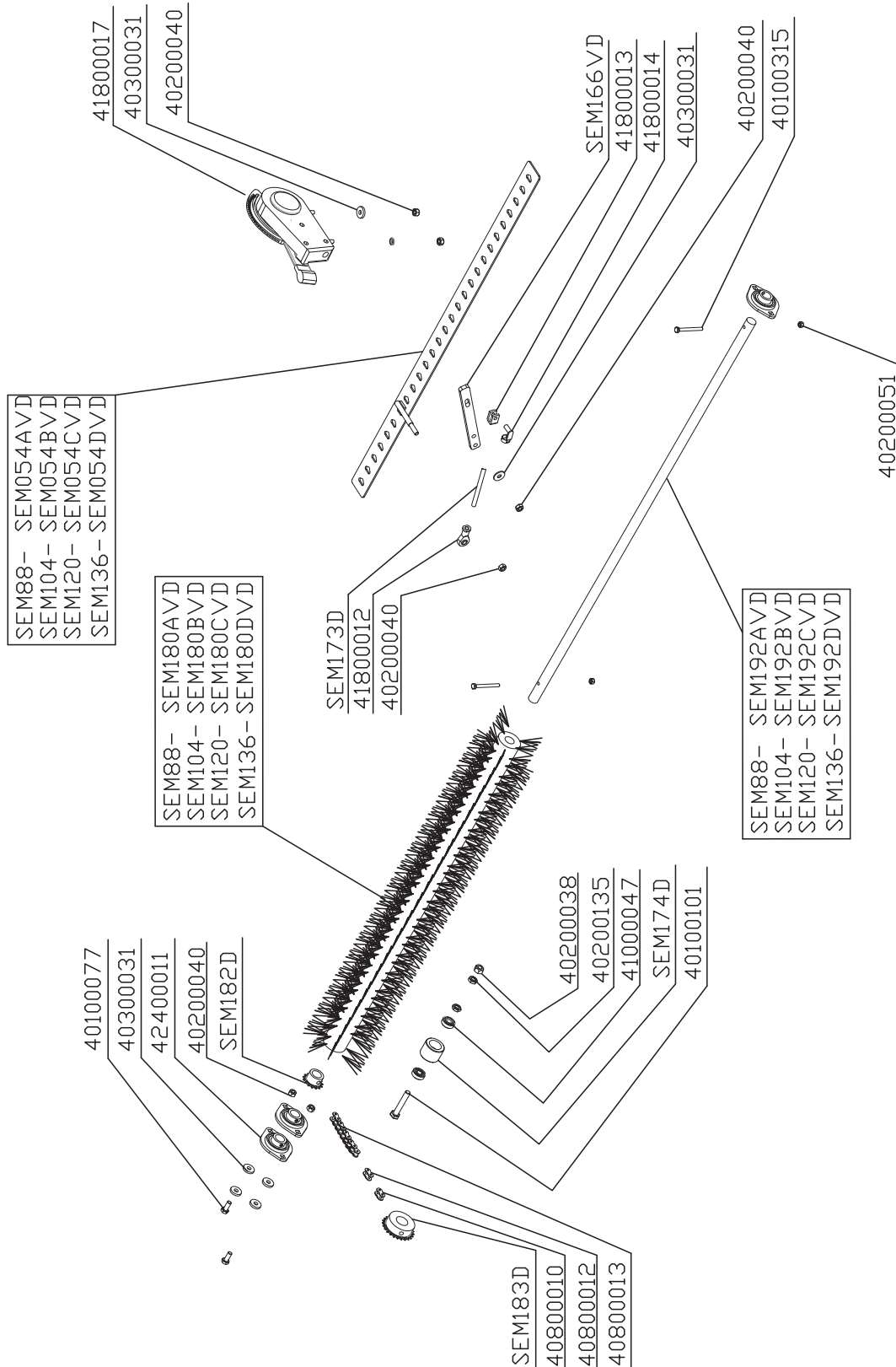




GRASS (ROTEX M)

Seminatrice
Seeder
Semoir

TRASMISSIONE - DRIVE TRAIN COMPONENTS - TRANSMISSION (GRASS 90 - 100 - 120)





GRASS (ROTEX M)

Seminatrice
Seeder
Semoir

TELAIO - FRAME - CHASSIS (GRASS 90 - 100 - 120)

